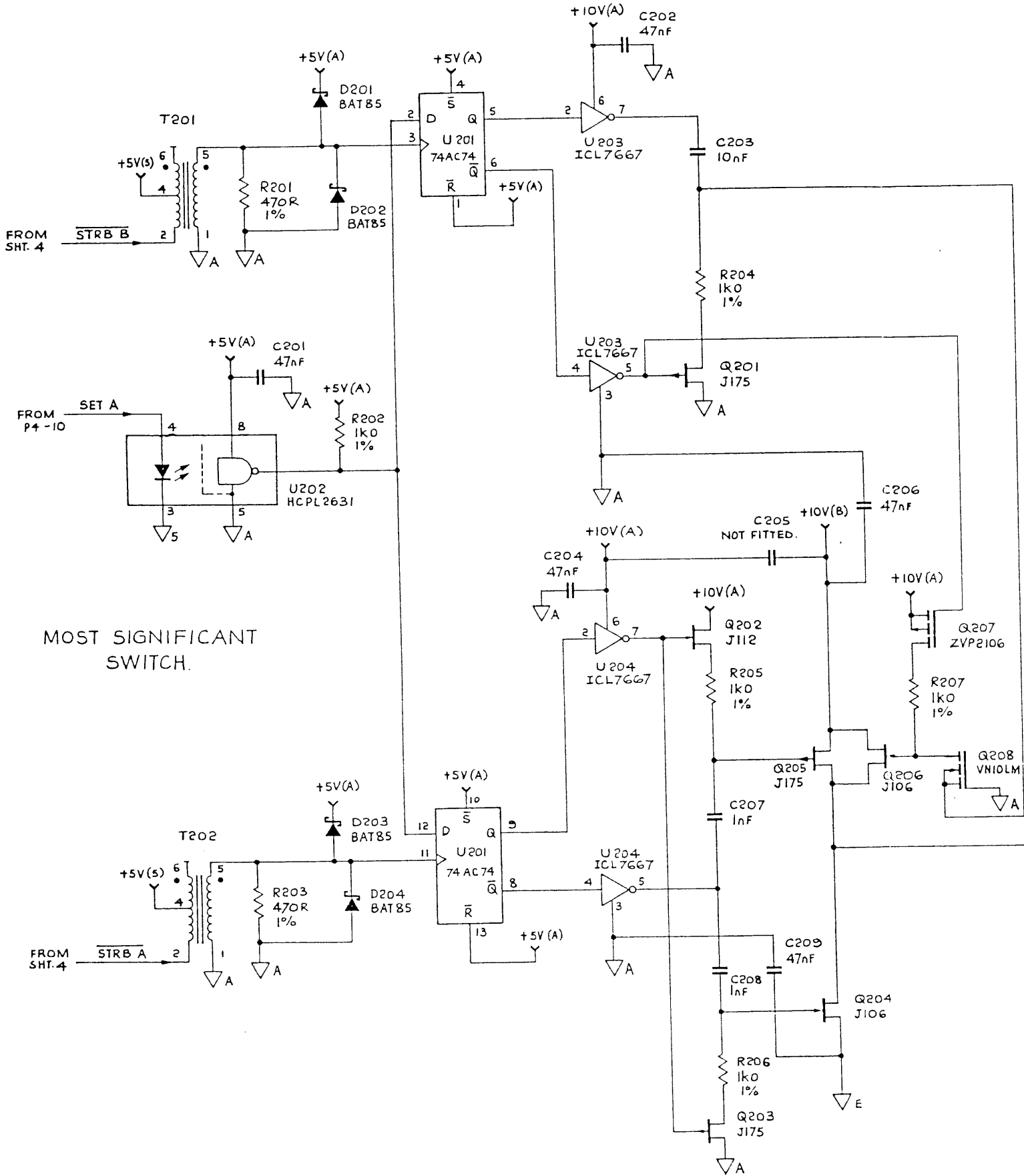


**CELL PCB ASSEMBLY**

Drawing No. DC400879 Sheet 1

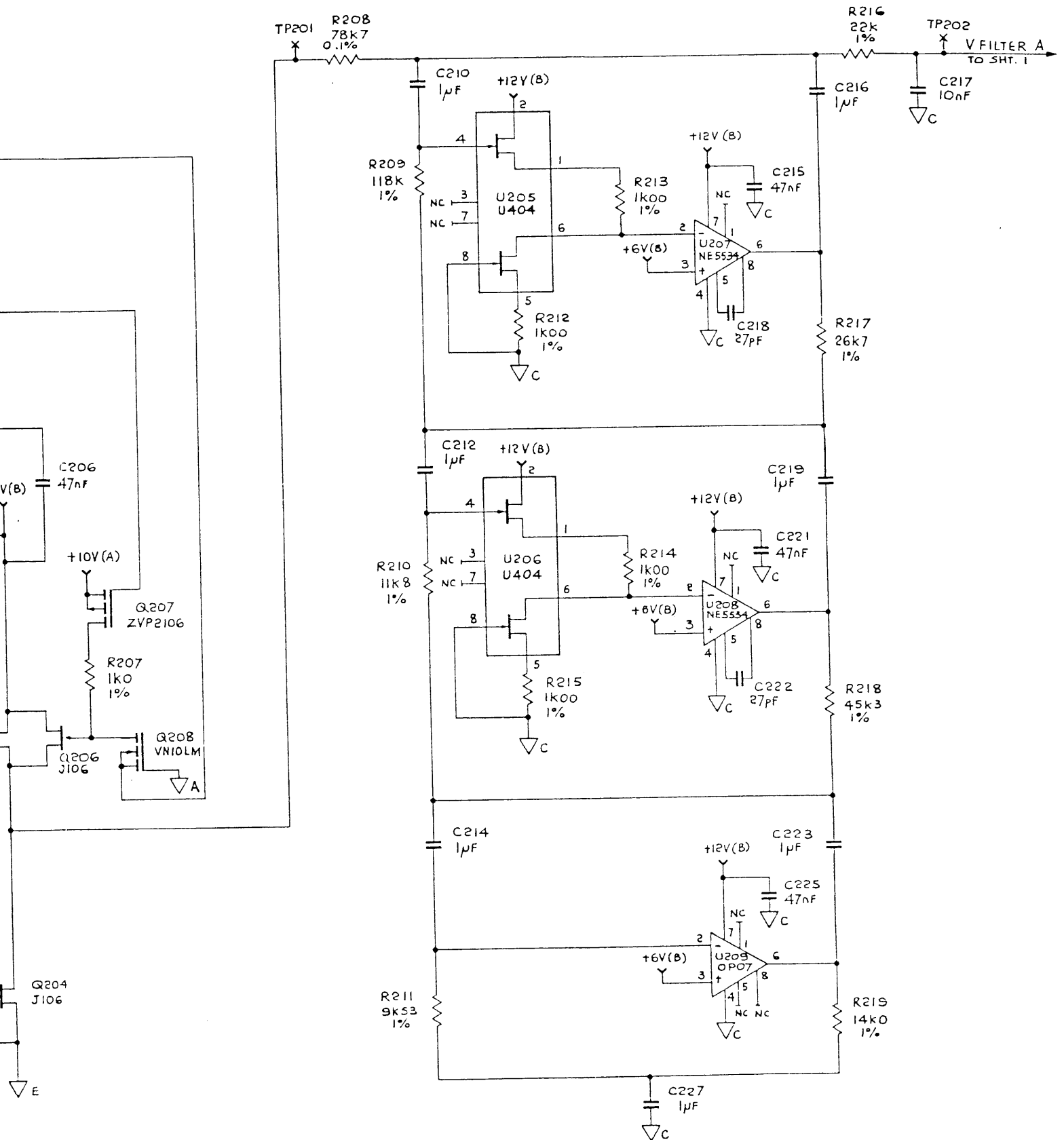


© Datron Instruments 1990



MOST SIGNIFICANT SWITCH.

# 7-POLE FILTER.

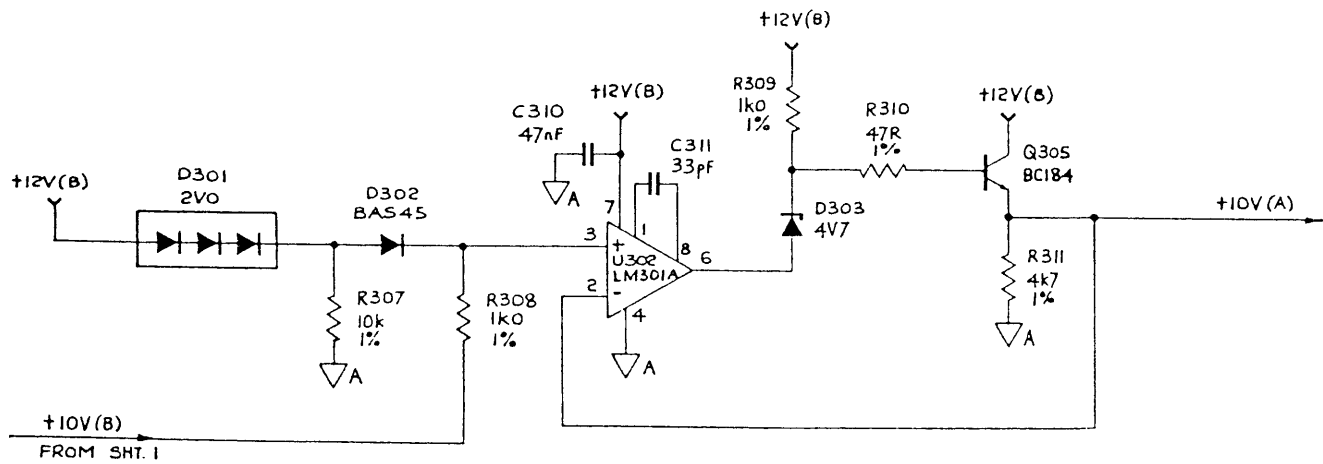
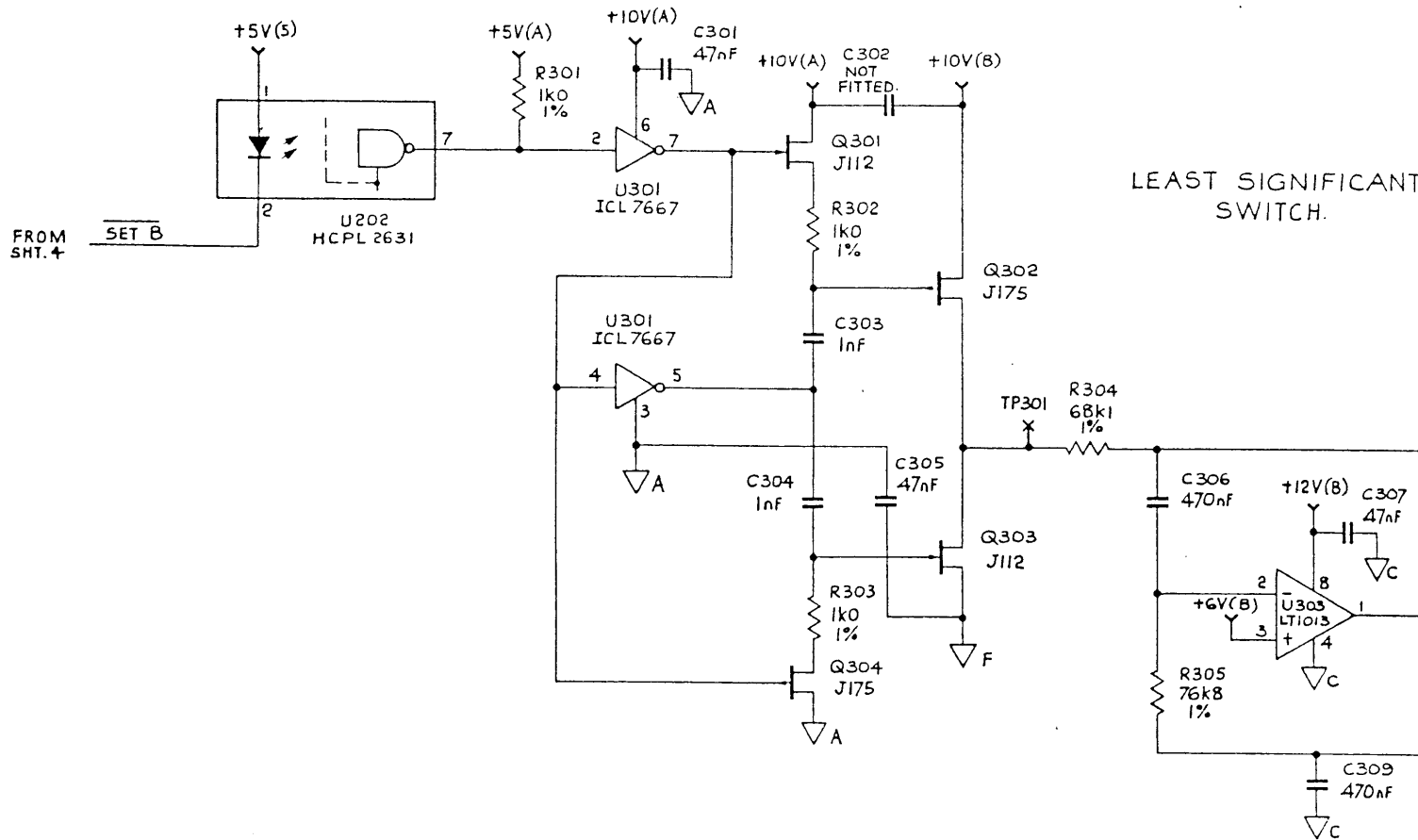


CELL PCB ASSEMBLY

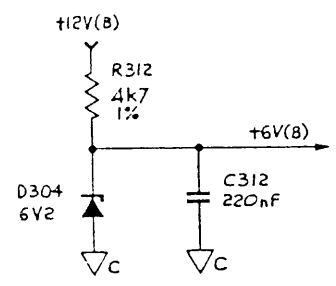
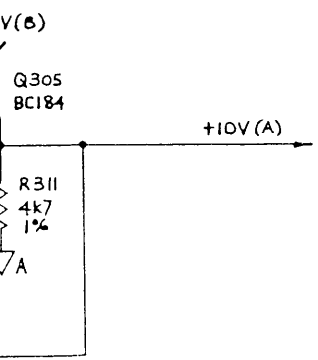
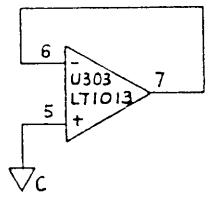
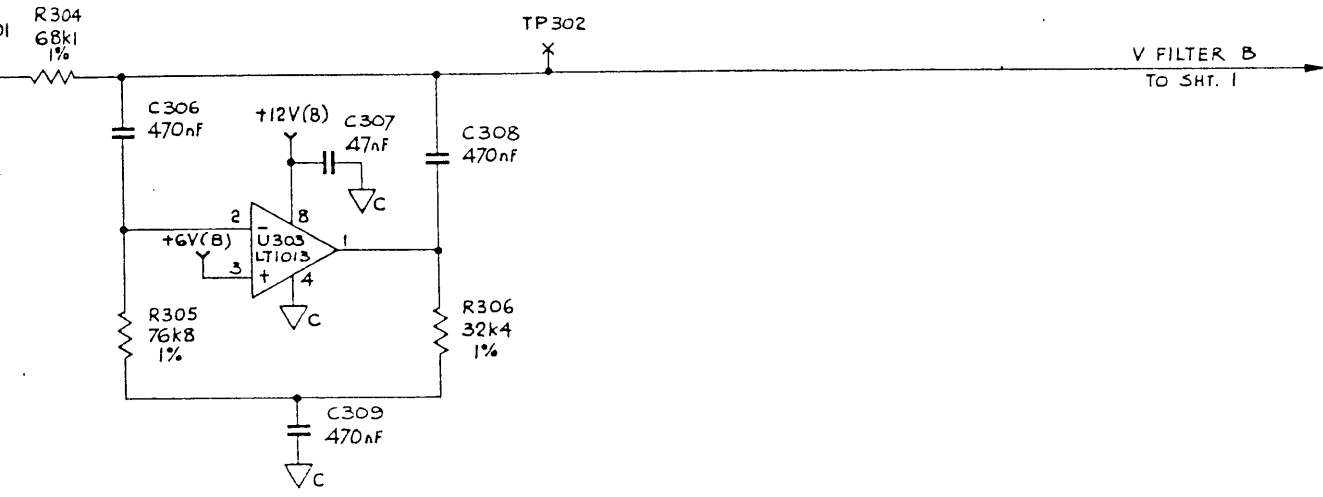
Drawing No. DC400879 Sheet 2

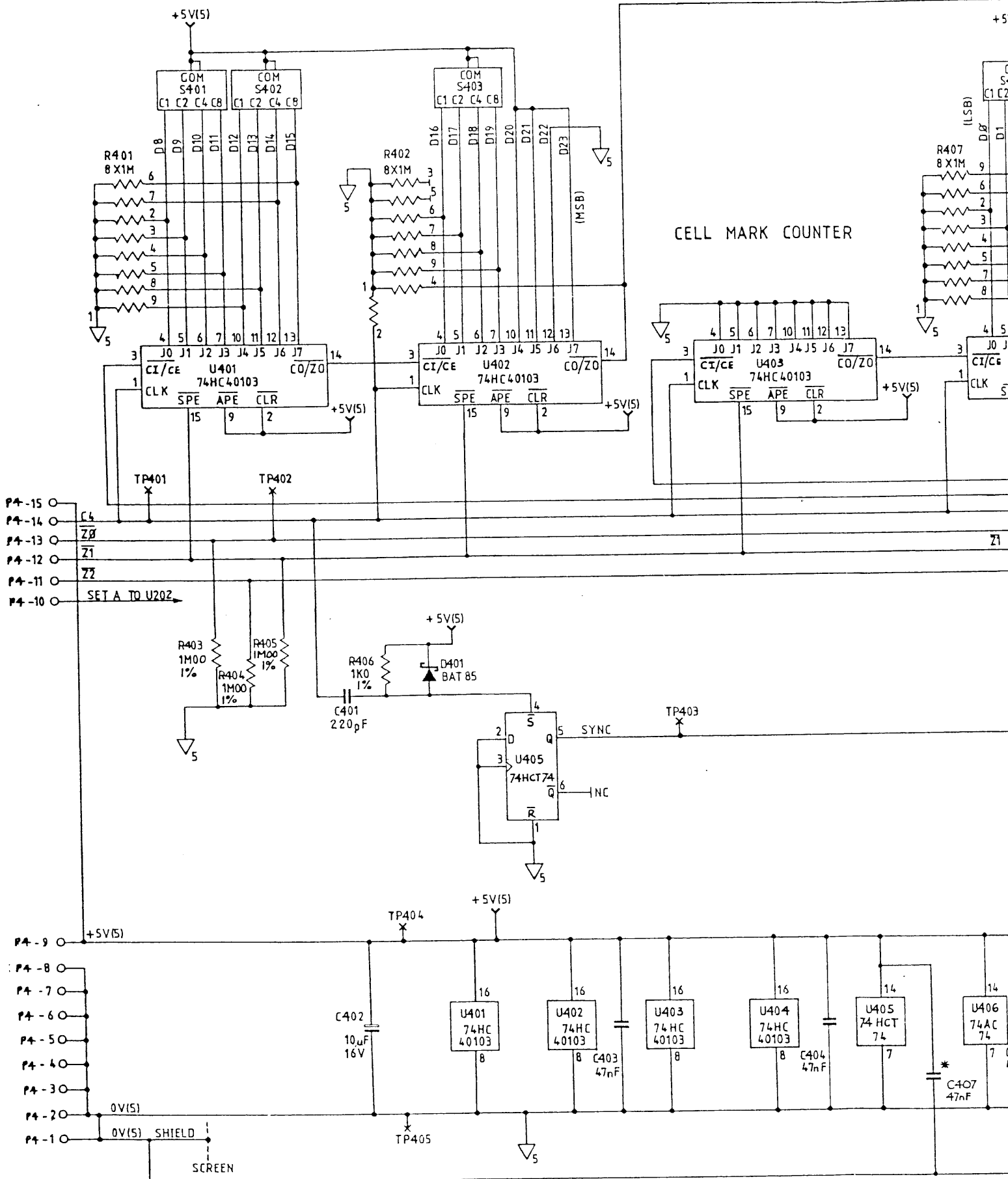


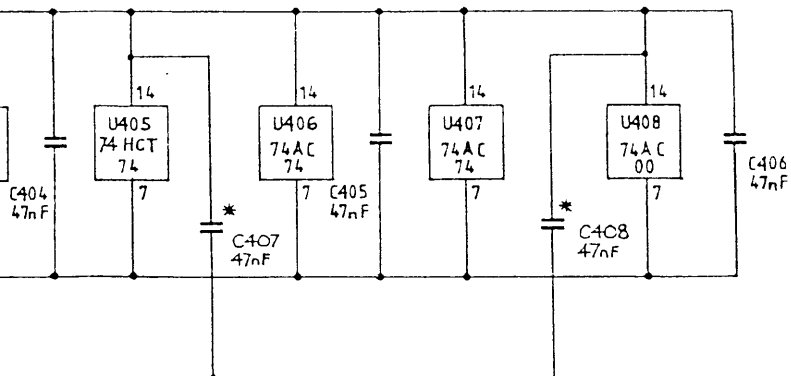
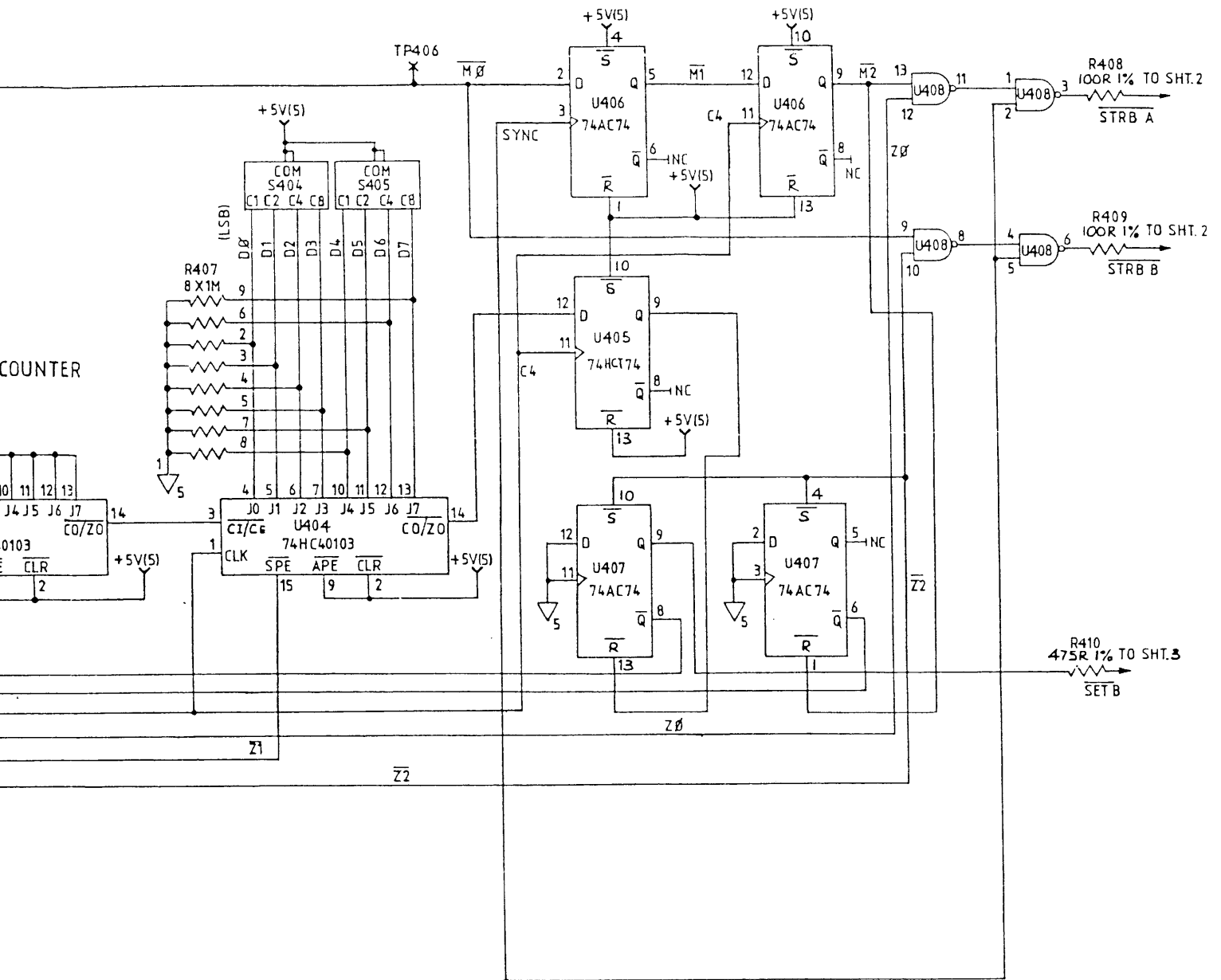
© Datron Instruments 1990



LEAST SIGNIFICANT SWITCH.







\* C407 + C408 SOLDERED TO DIG BOX WALL.

**CELL PCB ASSEMBLY**

Drawing No. DC400879 Sheet 4



© Datron Instruments 1990